

### Features

- Single-speed whirlpool offers performance and value, with 6 fully adjustable jets.
- Hydromassage flow and direction can be controlled at each jet.
- Oval basin creates a spacious bathing experience.
- Integral lumbar support and armrests offer extra comfort while bathing.
- Textured bottom surface.

### Material

- Acrylic.

### Hydrotherapy

- Whirlpool.

### Installation

- Reversible drain.
- Drop-in.
- Smooth backside for easy handling and mounting of drain and overflow.

### Recommended Products/Accessories

K-11677 Bath Drain  
K-1491 Bath/Whirlpool Pillow  
K-1601 Bath/whirlpool footstop, removable  
K-577 Under-Mount Installation Kit  
K-24916 Wireless Music Kit  
K-23726 Drain treatment  
K-23732 Tub & shower cleaner



### Codes/Standards

ASME A112.19.7/CSA B45.10  
CSA B45.5/IAPMO Z124  
UL 1795


### KOHLER® Plastic Baths and Receptors Lifetime Limited Warranty KOHLER® Hydrotherapy Components Five-Year Limited Warranty

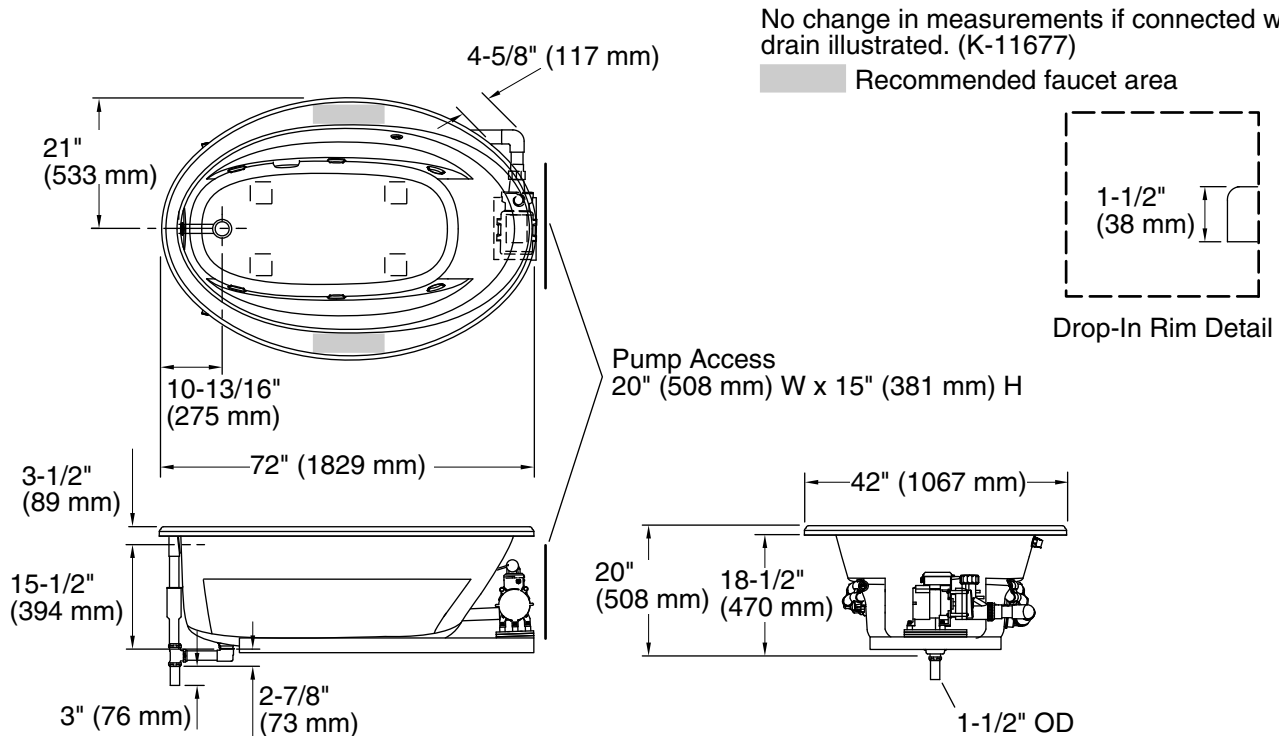
See website for detailed warranty information.

### Available Colors/Finishes

*Color tiles intended for reference only.*

Color	Code	Description
-------	------	-------------

	0	White
	96	Biscuit
	G9	Sandbar



### Required Electrical Service

One dedicated circuit required, protected with Class A Ground-Fault Circuit-Interrupter (GFCI). Outside North America, this device may be known as a Residual Current Device (RCD).

Pump: 120 V, 15 A, 60 Hz

### Technical Information

All product dimensions are nominal.

Installation: Drop-in  
 Drain location: End  
 Basin area, bottom: 55-1/4" x 23-1/2" (1403 mm x 597 mm)  
 Basin area, top: 64-1/2" x 32" (1638 mm x 813 mm)  
 Weight: 110 lbs (49.9 kg)  
 Minimum floor load: 36 lbs/ft<sup>2</sup> (175.8 kg/m<sup>2</sup>)  
 Water depth: 15" (381 mm)  
 Water capacity: 75 gal (283.9 L)  
 Template: Drop-in, 1042557-7, required, included  
 Electrical component rating: Pump: 120 V, 7.5 A, 60 Hz  
 Pump speed: Single

### Notes

Measure your actual product for rough-in details.

Install this product according to the installation instructions.

The hot water supply should be 70% of the capacity of the bath or greater. Installations will vary.

The suction line extends 4-5/8" (117 mm) beyond the edge of the rim. The pump base extends 1/8" (3 mm) beyond the edge of the rim. Modify the framing as needed.